

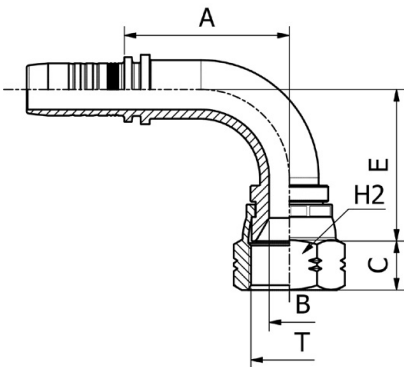
JIS STANDARD CONNECTIONS

M24011/M24012

**JIS METRIC FEMALE 60° CONE SEAT
(KOMATSU) JIS B 8363**

FITTINGS 166

PART. REF.	HOSE BORE			Thread	DIMENSIONS mm						
	DN	Dash	inch		T	B	A	C	H1	H2	
M24011-04-14	6	- 4	1/4"	M 14X1.5	4.0	23.0	10.5	19.0	19.0		
M24011-04-18	6	- 4	1/4"	M 18X1.5	7.0	22.5	11.5	24.0	24.0		
M24011-05-16	8	- 5	5/16"	M 16X1.5	5.5	22.5	9.3	21.0	21.0		
M24011-06-14	10	- 6	3/8"	M 14X1.5	4.0	23.5	10.5	19.0	19.0		
M24011-06-18	10	- 6	3/8"	M 18X1.5	7.0	23.5	11.5	24.0	24.0		
M24011-08-22	12	- 8	1/2"	M 22X1.5	9.3	25.0	13.0	27.0	27.0		
M24011-10-24	16	- 10	5/8"	M 24X1.5	12.5	26.5	15.1	32.0	32.0		
M24011-12-30	19	- 12	3/4"	M 30X1.5	15.0	31.5	18.3	36.0	36.0		
M24011-16-33	25	- 16	1"	M 33X1.5	19.8	33.5	21.3	41.0	41.0		
M24011-20-36	31	- 20	1.1/4"	M 36X1.5	19.8	41.0	20.0	46.0	46.0		
M24012-24-42	38	- 24	1.1/2"	M 42X1.5	26.0	44.0	18.8	55.0	55.0		



JIS STANDARD CONNECTIONS

M24091

90° JIS METRIC FEMALE 60° CONE SEAT

PART. REF.	HOSE BORE			Thread	DIMENSIONS mm						
	DN	Dash	inch		T	B	A	C	E	H2	
M24091-04-14	6	- 4	1/4"	M 14X1.5	4.0	29.0	10.5	28.5	19.0		
M24091-06-18	10	- 6	3/8"	M 18X1.5	7.0	35.5	11.5	34.0	24.0		
M24091-08-22	12	- 8	1/2"	M 22X1.5	9.3	44.0	13.0	40.0	27.0		
M24091-10-24	16	- 10	5/8"	M 24X1.5	12.5	53.5	15.2	47.0	32.0		
M24091-12-30	19	- 12	3/4"	M 30X1.5	15.0	61.5	18.3	56.5	36.0		